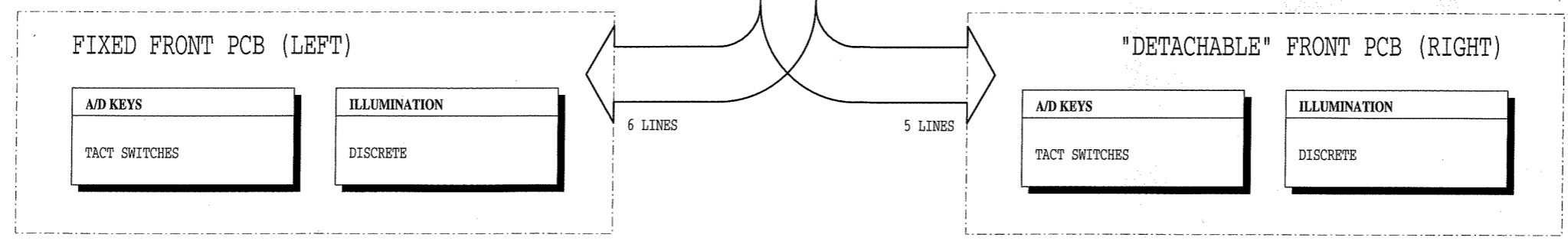
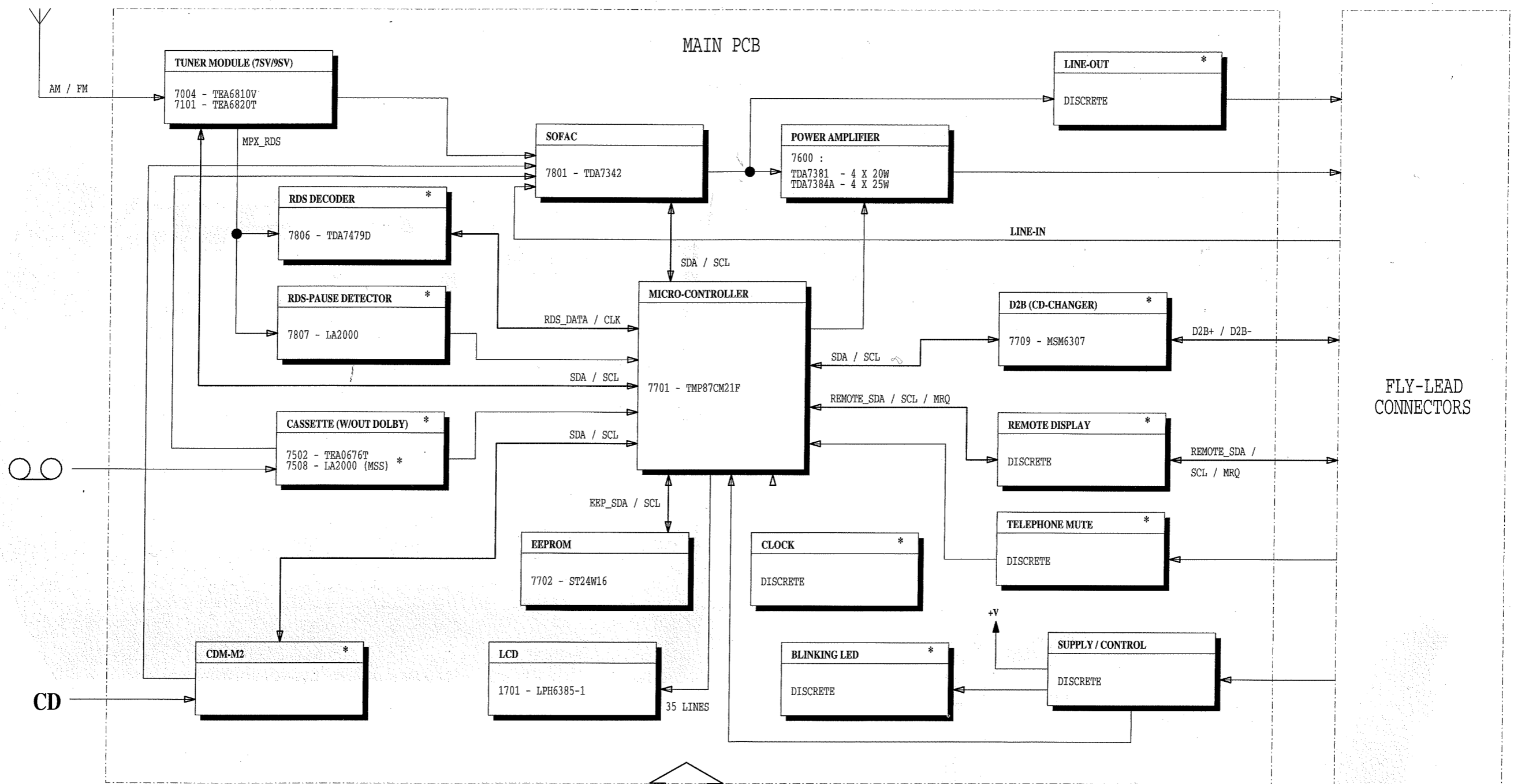


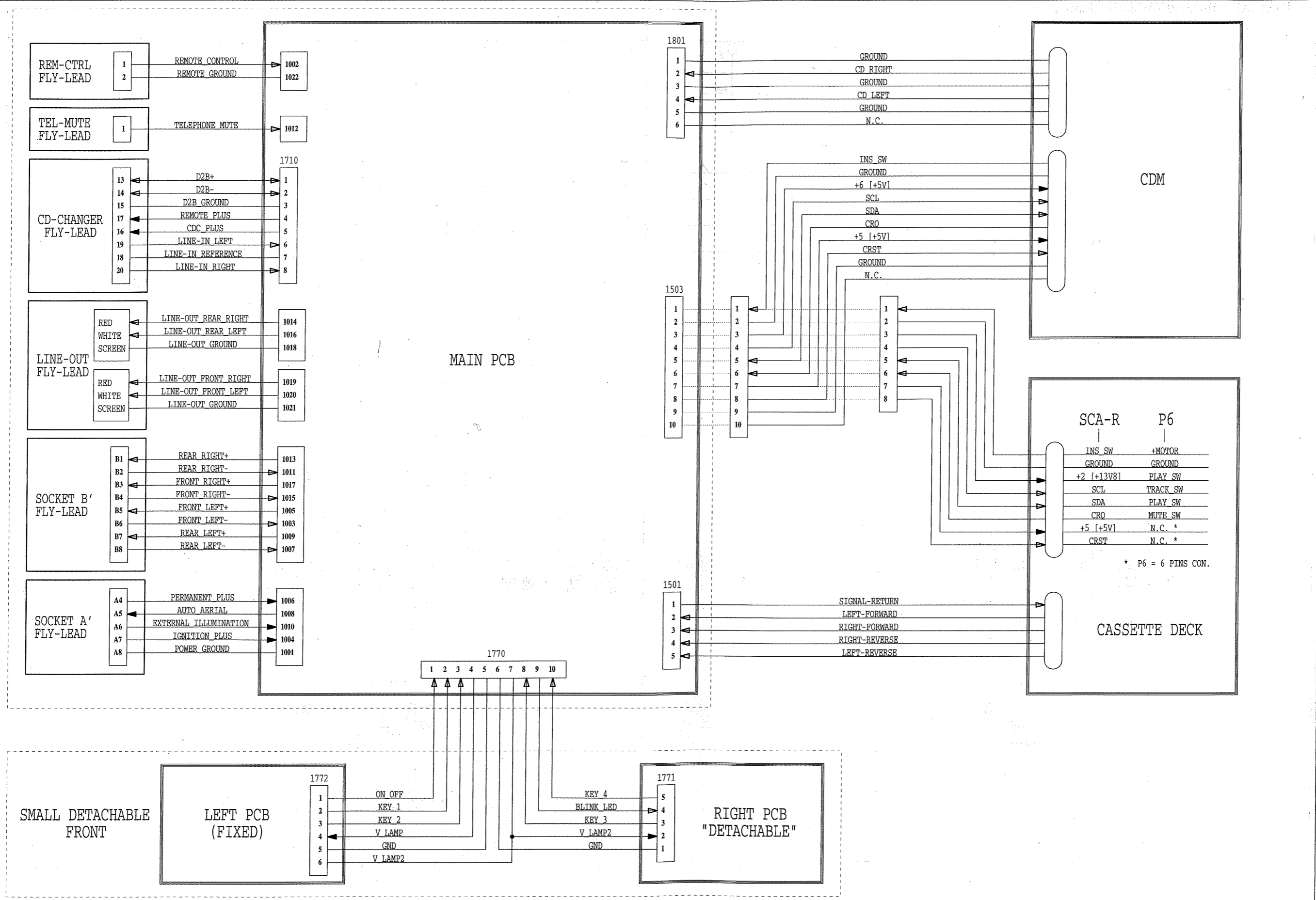
PART A : ELECTRICAL ARCHITECTURE

PA

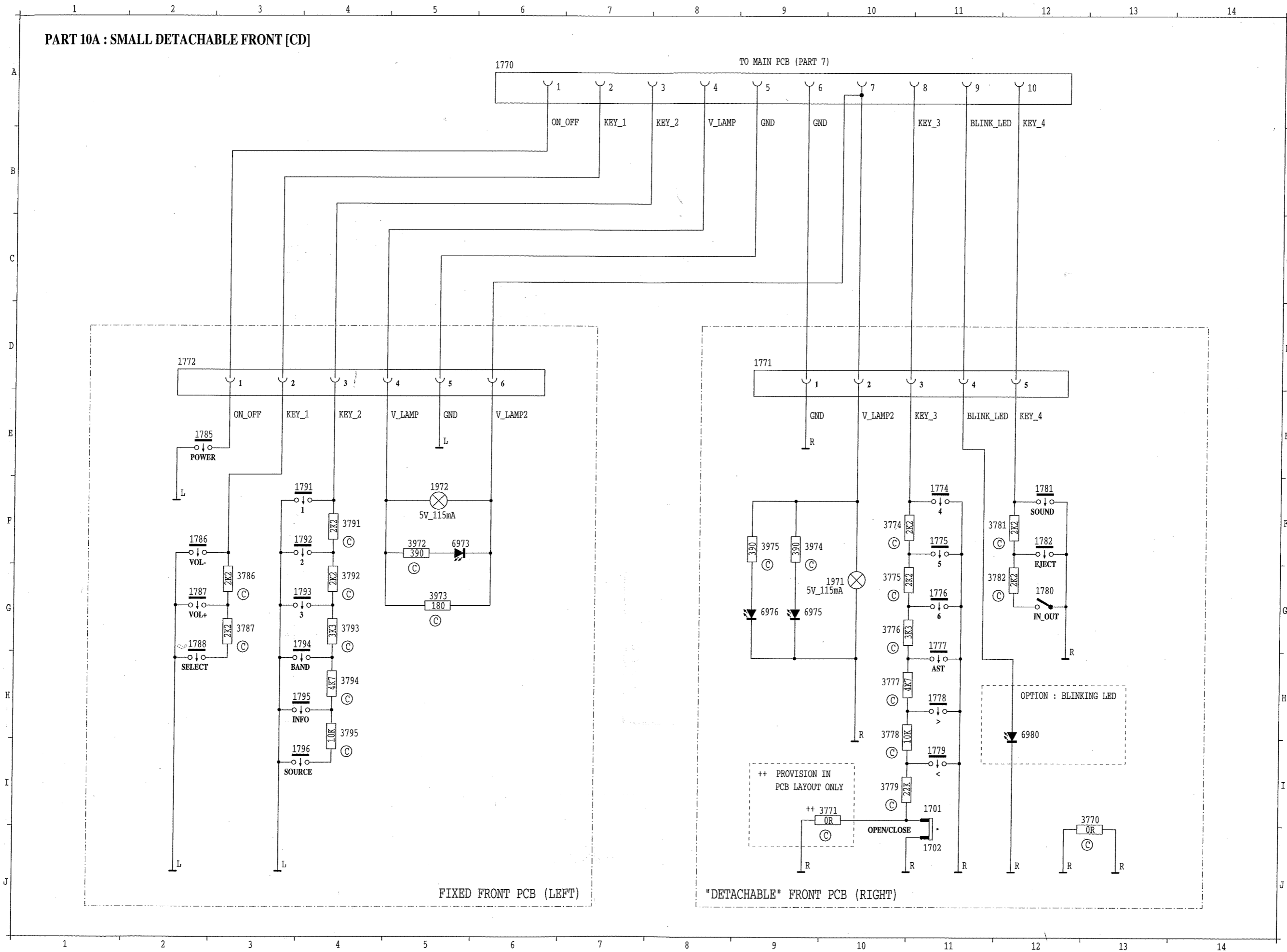


* = OPTION

PART B : WIRING DIAGRAM

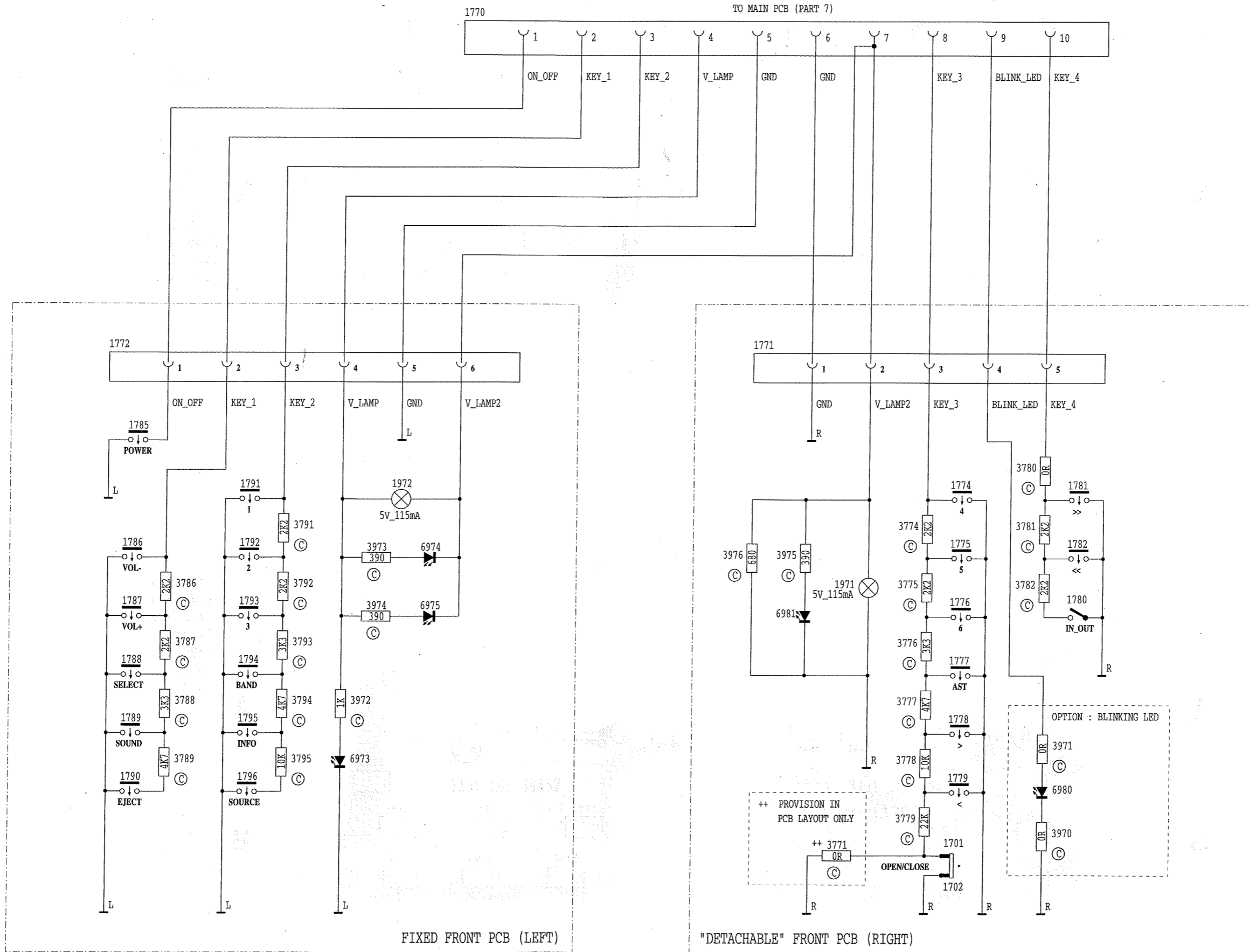


PART 10A : SMALL DETACHABLE FRONT [CD]



1701 I11
 1702 J11
 1771 D 2
 1772 F11
 1774 F11
 1775 F11
 1776 G11
 1777 H11
 1778 H11
 1779 I11
 1780 G12
 1781 F12
 1782 F12
 1785 F12
 1786 F12
 1787 G12
 1788 G12
 1791 F12
 1792 F12
 1793 F12
 1794 F12
 1795 F12
 1796 F12
 1971 G10
 1972 F10
 3770 I10
 3771 I10
 3774 F10
 3775 G10
 3776 G10
 3777 H10
 3778 H10
 3779 I10
 3781 F12
 3782 G12
 3785 F12
 3787 F12
 3791 F12
 3792 F12
 3793 F12
 3794 F12
 3795 F12
 3972 F10
 3973 F10
 6973 F10
 6975 G10
 6976 G10
 6980 H12

PART 10B : SMALL DETACHABLE FRONT [SCA]



- 1701 I11
- 1702 J11
- 1771 D 9
- 1772 D 2
- 1774 F11
- 1775 F11
- 1776 G11
- 1777 G11
- 1778 H11
- 1779 I11
- 1780 G12
- 1781 F12
- 1782 F12
- 1785 F 2
- 1786 F 2
- 1787 G 2
- 1788 G 2
- 1789 H 2
- 1790 I 2
- 1791 F 4
- 1792 F 4
- 1793 G 4
- 1794 G 4
- 1795 H 4
- 1796 I 4
- 1971 G10
- 1972 F 5
- 3771 I10
- 3774 F10
- 3775 G10
- 3776 G10
- 3777 H10
- 3778 H10
- 3779 I10
- 3780 E12
- 3781 F12
- 3782 G12
- 3786 G 3
- 3787 G 3
- 3788 H 3
- 3789 H 3
- 3791 F 4
- 3792 G 4
- 3793 G 4
- 3794 H 4
- 3795 H 4
- 3970 I12
- 3971 H12
- 3972 H 5
- 3973 F 5
- 3974 G 5
- 3975 F 5
- 3976 F 5
- 6973 H 5
- 6974 F 5
- 6975 G 5
- 6980 I12
- 6981 G 9

Voltage measured in FM mode

A4 = 14.4V

A7 = 14.4V

unless otherwise stated.

7806 TDA7479

- 1 Square wave 5V
- 2 Square wave 5V
- 3 2.5V
- 4 Audio signal
- 5 5V
- 6 0V
- 7 Audio signal
- 8 Audio signal
- 9-11 0V
- 12 5V
- 13 Sine wave 0.6V
- 14 Sine wave 3.2V
- 15 N.C.
- 16 Square wave 5V

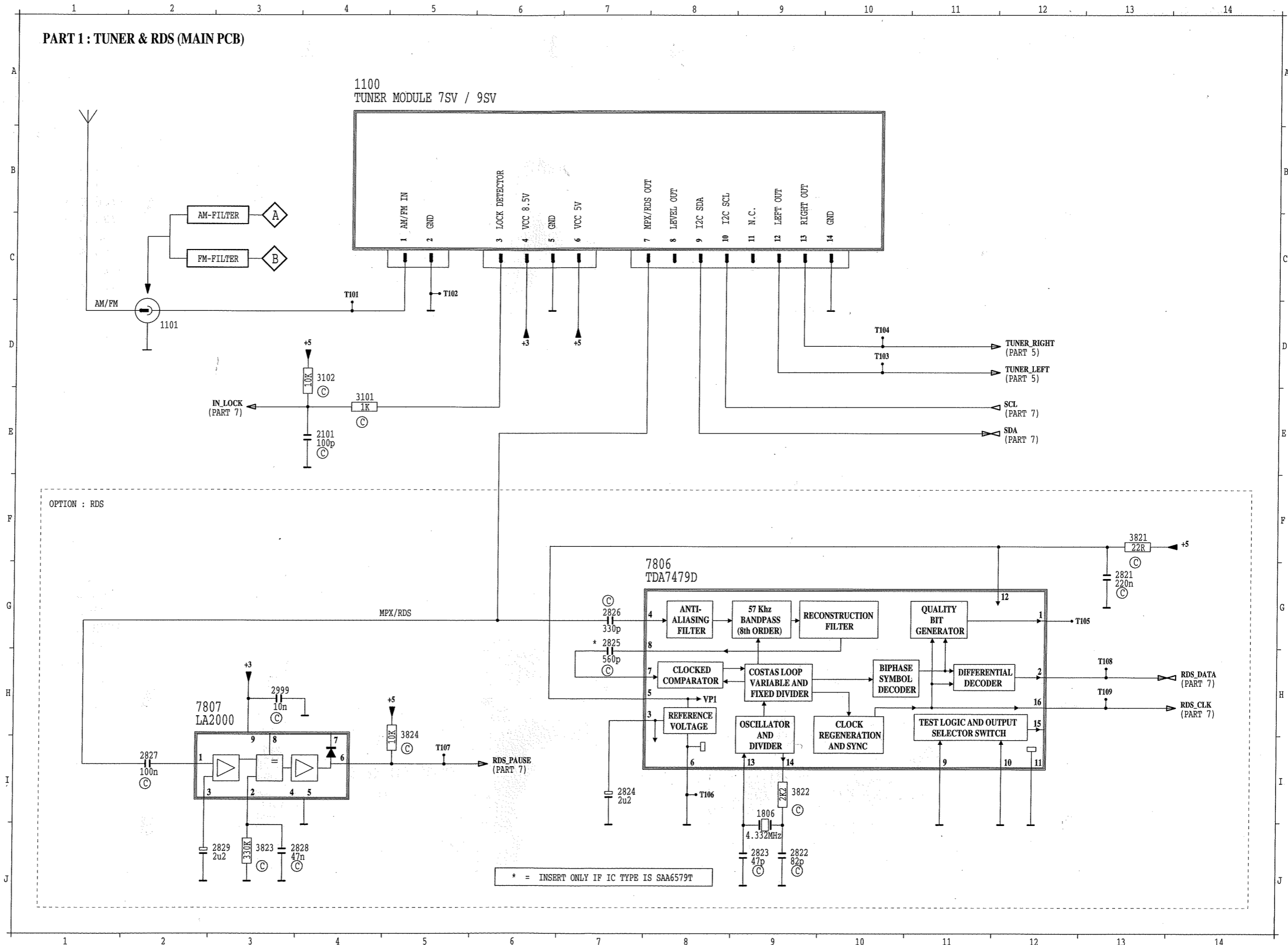
7807 LA200

- 1 Audio signal
- 2 8.2V
- 3 2.3V
- 4 N.C.
- 5 GND
- 6 5V
- 7-8 N.C.
- 9 8.5V

1100 TUNER

- 1 AM/FM INPUT
- 2 GND
- 3 5V
- 4 8.5V
- 5 GND
- 6 5V
- 7 Audio signal
- 8, 11 N.C.
- 9 5V
- 10 5V
- 12 TUNER LEFT
- 13 TUNER RIGHT
- 14 GND

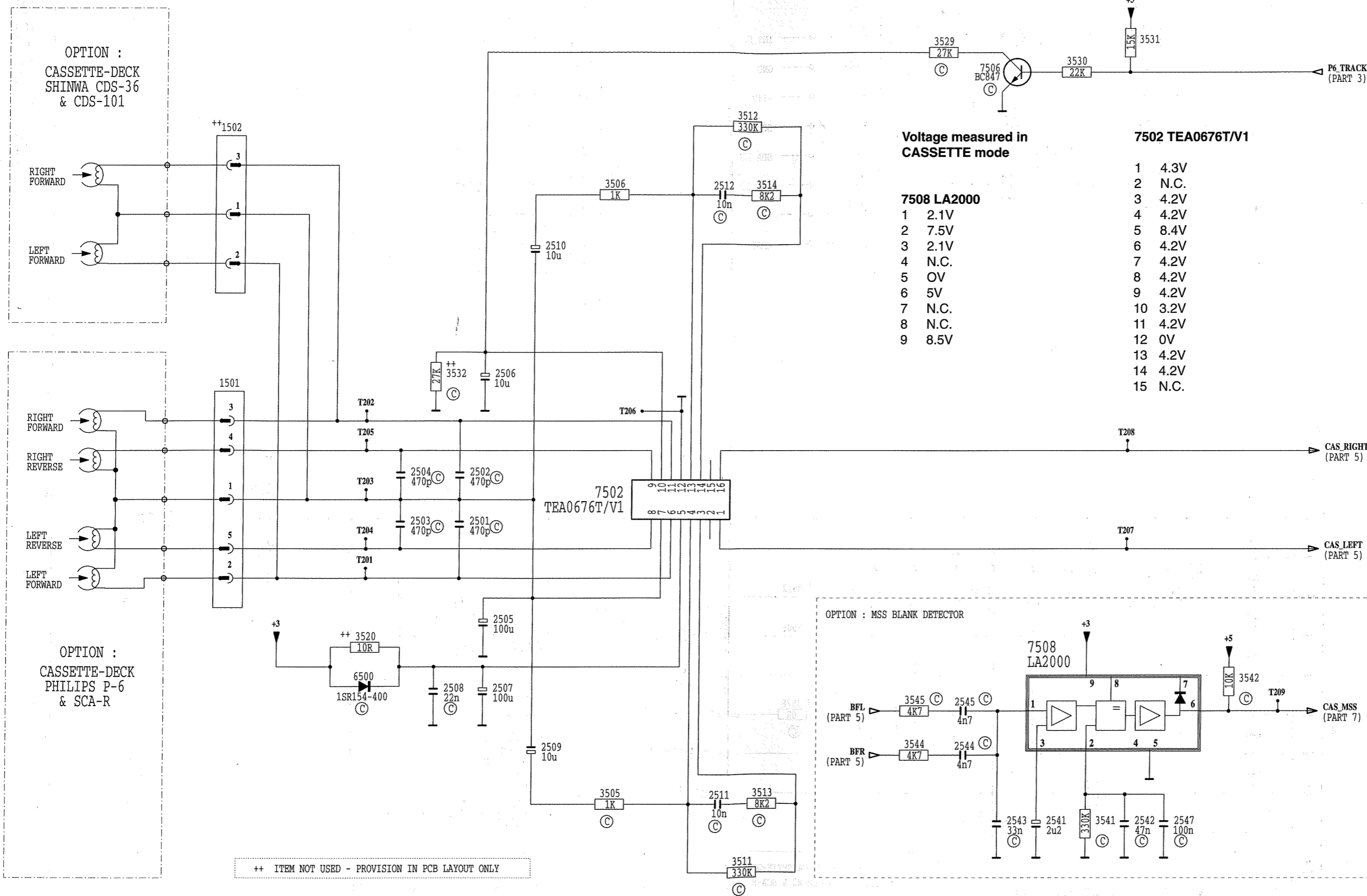
PART 1: TUNER & RDS (MAIN PCB)



1100 A 4
1101 D 2
1806 E 4
2101 G 3
2821 J 9
2822 J 7
2823 J 9
2824 J 7
2825 G 7
2826 G 7
2827 J 2
2828 J 4
2829 J 3
2999 H 3
3101 D 4
3102 F 3
3821 F 3
3822 I 9
3823 J 9
3824 G 7
7806 H 2

PART 2 : CASSETTE PRE-AMP, DOLBY & MSS (MAIN PCB)

THIS PART IS DELETED IN CD VERSIONS



Voltage measured in CASSETTE mode

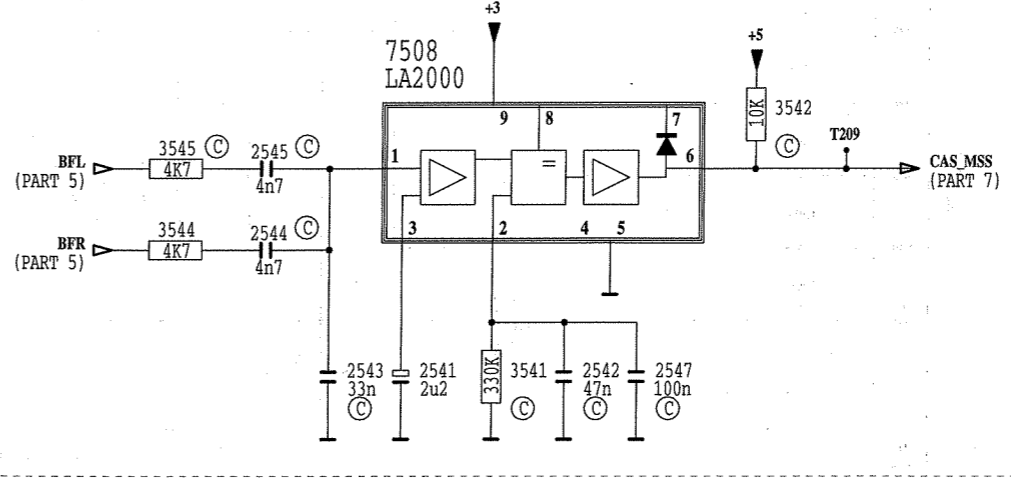
7508 LA2000

- 1 2.1V
- 2 7.5V
- 3 2.1V
- 4 N.C.
- 5 0V
- 6 5V
- 7 N.C.
- 8 N.C.
- 9 8.5V

7502 TEA0676T/V1

- 1 4.3V
- 2 N.C.
- 3 4.2V
- 4 4.2V
- 5 8.4V
- 6 4.2V
- 7 4.2V
- 8 4.2V
- 9 4.2V
- 10 3.2V
- 11 4.2V
- 12 0V
- 13 4.2V
- 14 4.2V
- 15 N.C.

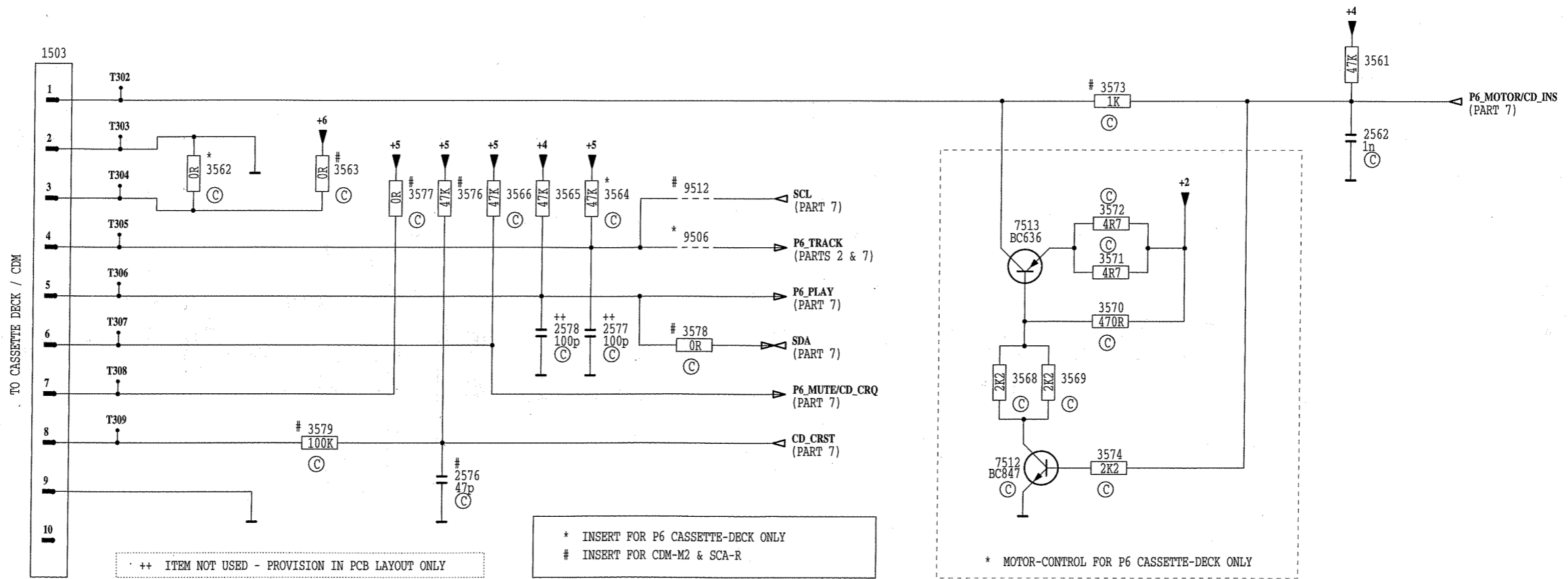
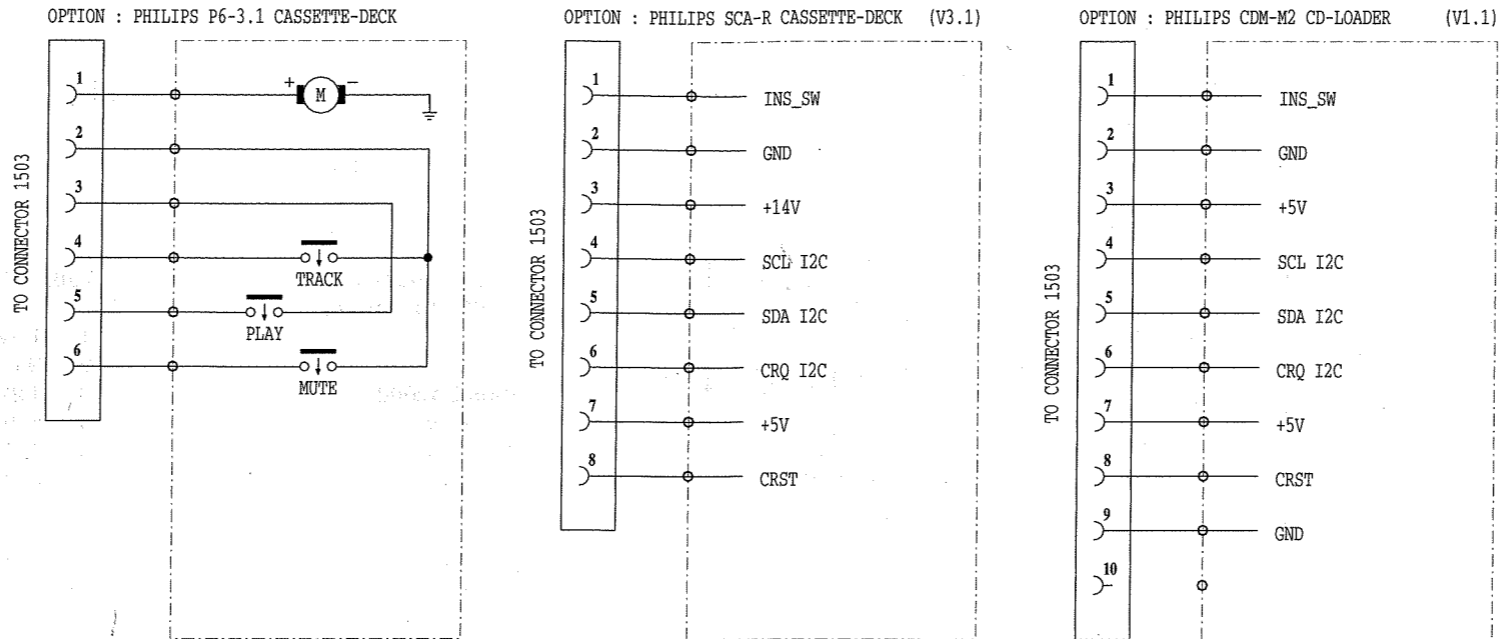
OPTION : MSS BLANK DETECTOR



++ ITEM NOT USED - PROVISION IN PCB LAYOUT ONLY

1501
1502
2501
2502
2503
2504
2505
2506
2507
2508
2509
2510
2511
2512
2513
2514
2515
2516
2517
2518
2519
2520
2521
2522
2523
2524
2525
2526
2527
2528
2529
2530
2531
2532
2533
2534
2535
2536
2537
2538
2539
2540
2541
2542
2543
2544
2545
2546
2547
2548
2549
2550
2551
2552
2553
2554
2555
2556
2557
2558
2559
2560
2561
2562
2563
2564
2565
2566
2567
2568
2569
2570
2571
2572
2573
2574
2575
2576
2577
2578
2579
2580
2581
2582
2583
2584
2585
2586
2587
2588
2589
2590
2591
2592
2593
2594
2595
2596
2597
2598
2599
2600
2601
2602
2603
2604
2605
2606
2607
2608
2609
2610
2611
2612
2613
2614
2615
2616
2617
2618
2619
2620
2621
2622
2623
2624
2625
2626
2627
2628
2629
2630
2631
2632
2633
2634
2635
2636
2637
2638
2639
2640
2641
2642
2643
2644
2645
2646
2647
2648
2649
2650
2651
2652
2653
2654
2655
2656
2657
2658
2659
2660
2661
2662
2663
2664
2665
2666
2667
2668
2669
2670
2671
2672
2673
2674
2675
2676
2677
2678
2679
2680
2681
2682
2683
2684
2685
2686
2687
2688
2689
2690
2691
2692
2693
2694
2695
2696
2697
2698
2699
2700
2701
2702
2703
2704
2705
2706
2707
2708
2709
2710
2711
2712
2713
2714
2715
2716
2717
2718
2719
2720
2721
2722
2723
2724
2725
2726
2727
2728
2729
2730
2731
2732
2733
2734
2735
2736
2737
2738
2739
2740
2741
2742
2743
2744
2745
2746
2747
2748
2749
2750
2751
2752
2753
2754
2755
2756
2757
2758
2759
2760
2761
2762
2763
2764
2765
2766
2767
2768
2769
2770
2771
2772
2773
2774
2775
2776
2777
2778
2779
2780
2781
2782
2783
2784
2785
2786
2787
2788
2789
2790
2791
2792
2793
2794
2795
2796
2797
2798
2799
2800
2801
2802
2803
2804
2805
2806
2807
2808
2809
2810
2811
2812
2813
2814
2815
2816
2817
2818
2819
2820
2821
2822
2823
2824
2825
2826
2827
2828
2829
2830
2831
2832
2833
2834
2835
2836
2837
2838
2839
2840
2841
2842
2843
2844
2845
2846
2847
2848
2849
2850
2851
2852
2853
2854
2855
2856
2857
2858
2859
2860
2861
2862
2863
2864
2865
2866
2867
2868
2869
2870
2871
2872
2873
2874
2875
2876
2877
2878
2879
2880
2881
2882
2883
2884
2885
2886
2887
2888
2889
2890
2891
2892
2893
2894
2895
2896
2897
2898
2899
2900
2901
2902
2903
2904
2905
2906
2907
2908
2909
2910
2911
2912
2913
2914
2915
2916
2917
2918
2919
2920
2921
2922
2923
2924
2925
2926
2927
2928
2929
2930
2931
2932
2933
2934
2935
2936
2937
2938
2939
2940
2941
2942
2943
2944
2945
2946
2947
2948
2949
2950
2951
2952
2953
2954
2955
2956
2957
2958
2959
2960
2961
2962
2963
2964
2965
2966
2967
2968
2969
2970
2971
2972
2973
2974
2975
2976
2977
2978
2979
2980
2981
2982
2983
2984
2985
2986
2987
2988
2989
2990
2991
2992
2993
2994
2995
2996
2997
2998
2999
3000

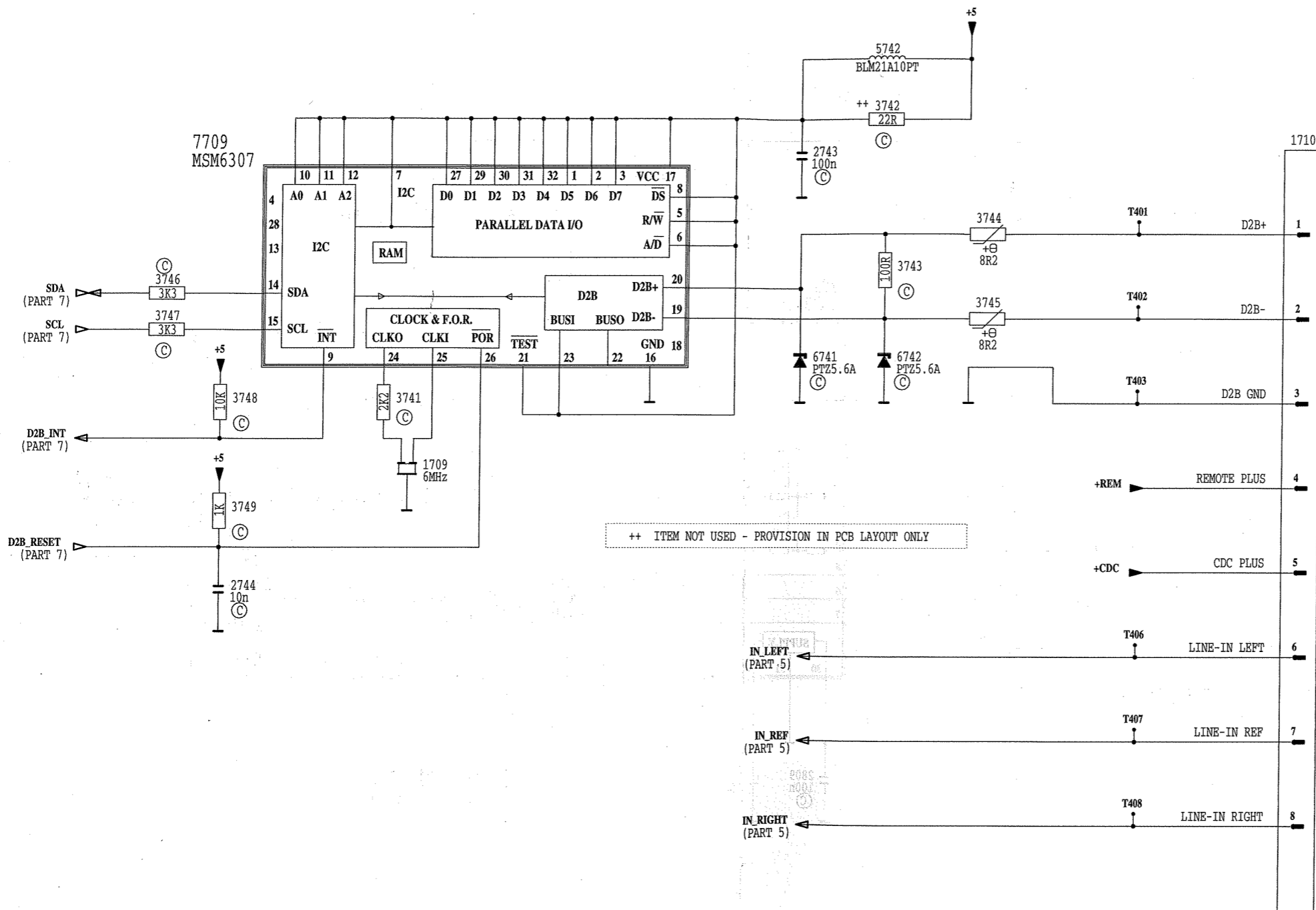
PART 3 : DECK CONTROL (MAIN PCB)



1503	F 2
2562	G13
2576	I 5
2577	H 7
2578	H 6
3561	F13
3562	G 3
3563	G 4
3564	G 7
3565	G 6
3566	G 6
3568	I10
3569	I10
3570	H11
3571	H11
3572	G11
3573	F11
3574	I11
3576	G 5
3577	G 5
3578	H 7
3579	I 4
7512	I10
7513	G10
9506	G 7
9512	G 7

PART 4 : CD-CHANGER CONTROL / CDCC (MAIN PCB)

N.B. THIS PART IS AN OPTION.



Voltage measured in FM mode
A4 = 14.4V
A7 = 14.4V
 unless otherwise stated.

7709 MSM6307

1-3	5V
5-8	5V
9	5V
10-12	5V
14-15	5V
16	GND
19-20	2.5V
21, 23	5V
24-25	2.3V
26	5V
27, 29	5V
30-32	5V

1709	F 5
1710	C12
2743	C 8
2744	G 4
3741	E 5
3742	C 9
3743	D 9
3744	D10
3745	D10
3746	D 3
3747	D 3
3748	E 4
3749	F 4
5742	B 9
6741	E 8
6742	E 9
7709	C 3

++ ITEM NOT USED - PROVISION IN PCB LAYOUT ONLY

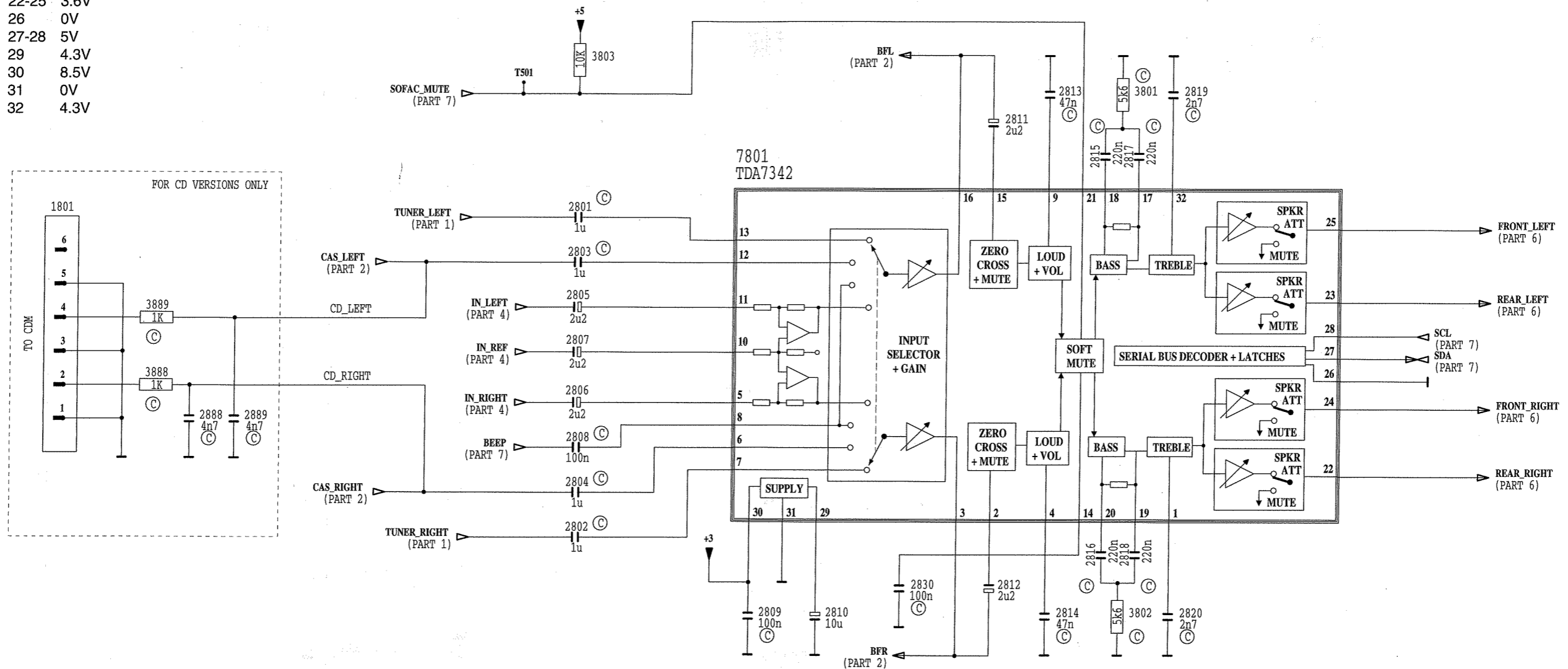
TO CD-CHANGER FLY-LEAD

PART 5 : SOFAC (MAIN PCB)

Voltage measured in FM mode
A4 = 14.4V
A7 = 14.4V
unless otherwise stated.

7801 TDA7342

- 1-8 4.3V
- 9-13 4.3V
- 14 7.5V
- 15-16 4.3V
- 17-20 4.3V
- 21 4.9V
- 22-25 3.6V
- 26 0V
- 27-28 5V
- 29 4.3V
- 30 8.5V
- 31 0V
- 32 4.3V



1801 E
 2801 E
 2802 E
 2803 E
 2804 E
 2805 E
 2806 E
 2807 E
 2808 E
 2809 E
 2810 E
 2811 H
 2812 H
 2813 D10
 2814 H10
 2815 D10
 2816 H10
 2817 D11
 2818 H11
 2819 D11
 2820 H11
 2830 H11
 2888 E
 2889 E
 3801 D11
 3802 C6
 3803 C6
 3804 E
 3805 E
 3806 E
 3807 E
 3808 E
 3809 E
 3810 E
 3811 E
 3812 E
 3813 E
 3814 E
 3815 E
 3816 E
 3817 E
 3818 E
 3819 E
 3820 E
 3821 E
 3822 E
 3823 E
 3824 E
 3825 E
 3826 E
 3827 E
 3828 E
 3829 E
 3830 E
 3831 E
 3832 E
 3833 E
 3834 E
 3835 E
 3836 E
 3837 E
 3838 E
 3839 E
 3840 E
 3841 E
 3842 E
 3843 E
 3844 E
 3845 E
 3846 E
 3847 E
 3848 E
 3849 E
 3850 E
 3851 E
 3852 E
 3853 E
 3854 E
 3855 E
 3856 E
 3857 E
 3858 E
 3859 E
 3860 E
 3861 E
 3862 E
 3863 E
 3864 E
 3865 E
 3866 E
 3867 E
 3868 E
 3869 E
 3870 E
 3871 E
 3872 E
 3873 E
 3874 E
 3875 E
 3876 E
 3877 E
 3878 E
 3879 E
 3880 E
 3881 E
 3882 E
 3883 E
 3884 E
 3885 E
 3886 E
 3887 E
 3888 E
 3889 E
 3890 E
 3891 E
 3892 E
 3893 E
 3894 E
 3895 E
 3896 E
 3897 E
 3898 E
 3899 E
 3900 E

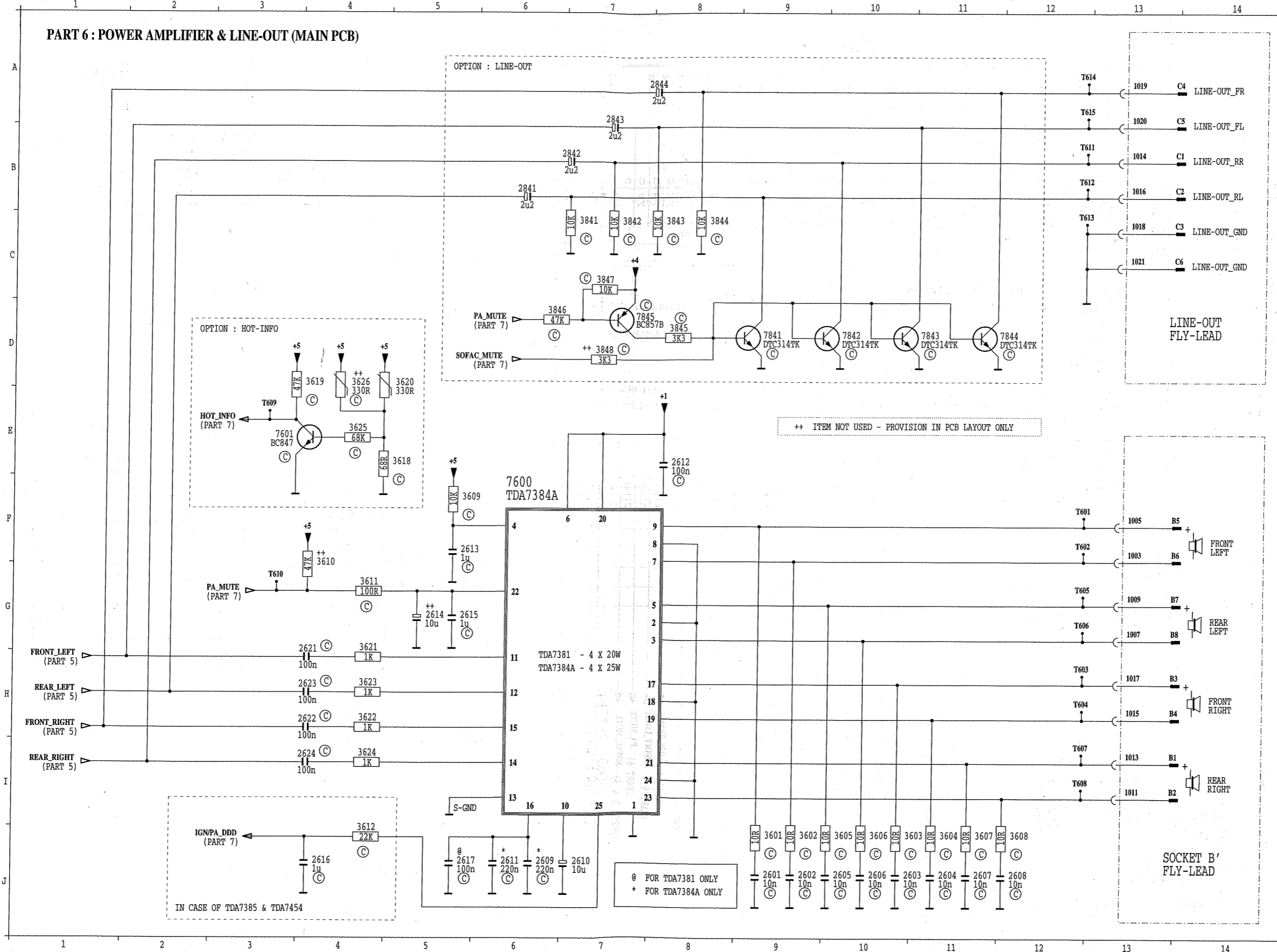
Voltage measured in FM mode

A4 = 14.4V
 A7 = 14.4V
 unless otherwise stated.

7600 TDA7384A

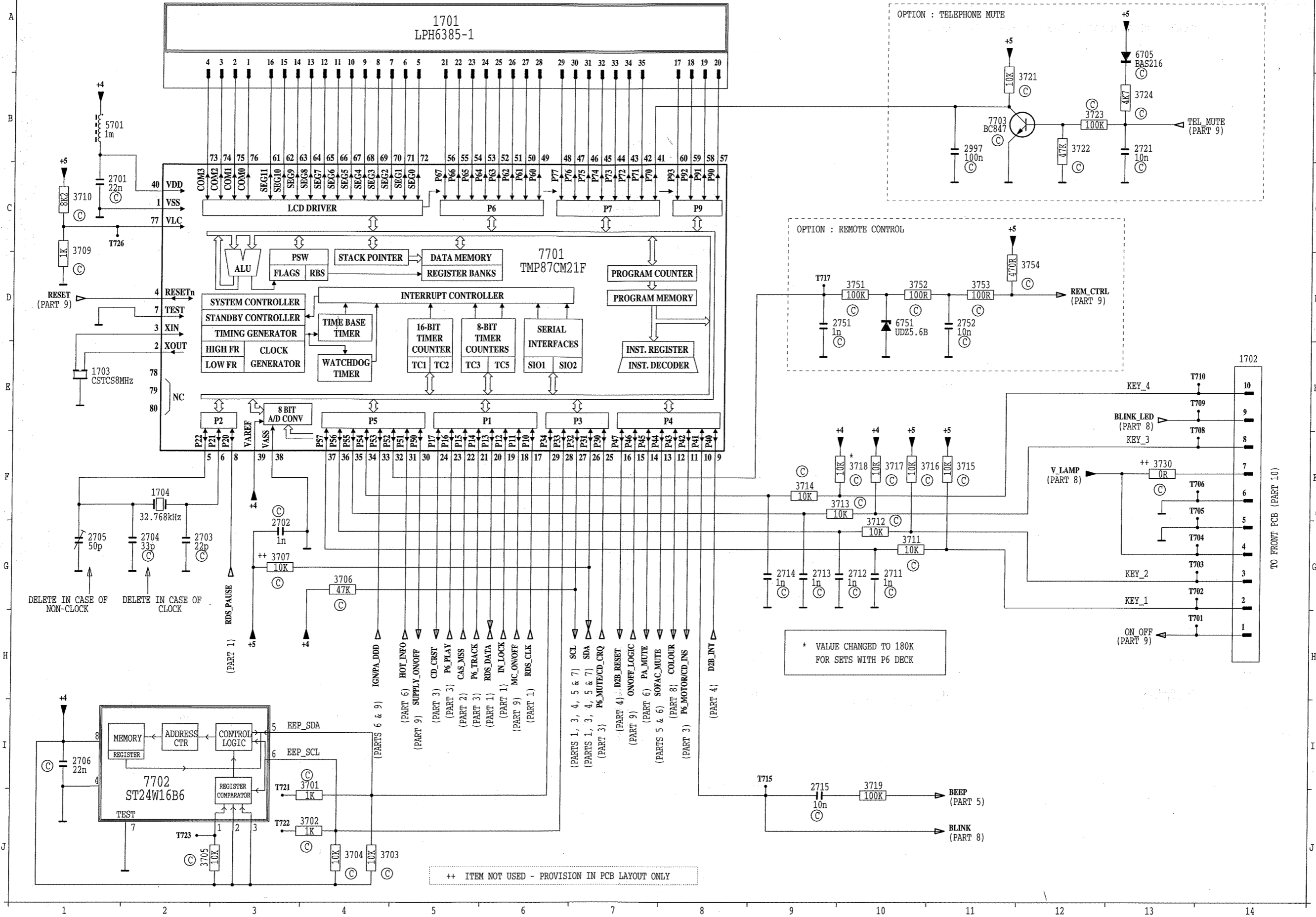
- 1 0V
- 2 0V
- 3 7.3V
- 4 5V
- 5 7.3V
- 6 14.4V
- 7 7.3V
- 8 0V
- 9 7.3V
- 10 7.2V
- 11 7.1V
- 12 7.1V
- 13 0V
- 14 7.1V
- 15 7.1V
- 16 7.2V
- 17 7.3V
- 18 0V
- 19 7.3V
- 20 14.4V
- 21 7.3V
- 22 5V
- 23 7.3V
- 24 0V
- 25 0V

PART 6 : POWER AMPLIFIER & LINE-OUT (MAIN PCB)



- 1003 F13
- 1005 F13
- 1007 G13
- 1009 G13
- 1011 I13
- 1013 I13
- 1014 H13
- 1015 H13
- 1016 B13
- 1017 H13
- 1018 C13
- 1019 A13
- 1020 A13
- 1021 C13
- 2601 J 9
- 2602 J 9
- 2603 J11
- 2604 J11
- 2605 J10
- 2606 J10
- 2607 J11
- 2608 J12
- 2609 J 6
- 2610 J 7
- 2611 J 6
- 2612 E 8
- 2613 C 5
- 2614 C 5
- 2615 G 5
- 2616 J 4
- 2617 J 5
- 2621 H 4
- 2622 H 4
- 2623 H 4
- 2624 I 4
- 2841 B 7
- 2842 B 7
- 2843 A 8
- 2844 A 8
- 3601 J 9
- 3602 J 9
- 3603 J11
- 3604 J11
- 3605 J10
- 3606 J10
- 3607 J11
- 3608 J12
- 3609 F 4
- 3610 F 4
- 3611 G 4
- 3612 J 4
- 3618 E 4
- 3619 D 4
- 3620 D 4
- 3621 H 4
- 3622 H 4
- 3623 H 4
- 3624 I 4
- 3625 E 4
- 3626 E 4
- 3841 C 7
- 3842 C 7
- 3843 C 7
- 3844 C 7
- 3845 D 7
- 3846 D 7
- 3847 D 7
- 7600 P 6
- 7601 E 3
- 7602 E 3
- 7603 D 9
- 7604 D10
- 7605 D11
- 7606 D11
- 7607 D11
- 7608 D 7

PART 7 : MICRO-CONTROLLER, LCD & EEPROM (MAIN PCB)



- 1701 A 5
- 1702 E14
- 1703 E 1
- 1704 F 2
- 2701 C 1
- 2702 G 3
- 2703 G 2
- 2704 G 2
- 2705 G 1
- 2706 I 1
- 2711 G10
- 2712 G10
- 2713 G 9
- 2714 G 9
- 2715 J 9
- 2721 B13
- 2722 D11
- 2751 D10
- 2752 D11
- 2997 B11
- 3701 I 4
- 3702 J 4
- 3703 J 5
- 3704 J 4
- 3705 J 2
- 3706 G 4
- 3707 G 3
- 3709 D 1
- 3710 C 1
- 3711 G10
- 3712 G10
- 3713 F10
- 3714 F 9
- 3715 F11
- 3716 F11
- 3717 F10
- 3718 F10
- 3719 I10
- 3721 B12
- 3722 B12
- 3723 B12
- 3724 B13
- 3730 F13
- 3751 D10
- 3752 D10
- 3753 D11
- 3754 D12
- 5701 B 1
- 6705 A13
- 6751 D10
- 7701 D 6
- 7702 I 2
- 7703 B11

TO FRONT PCB (PART 10)

* VALUE CHANGED TO 180K FOR SETS WITH P6 DECK

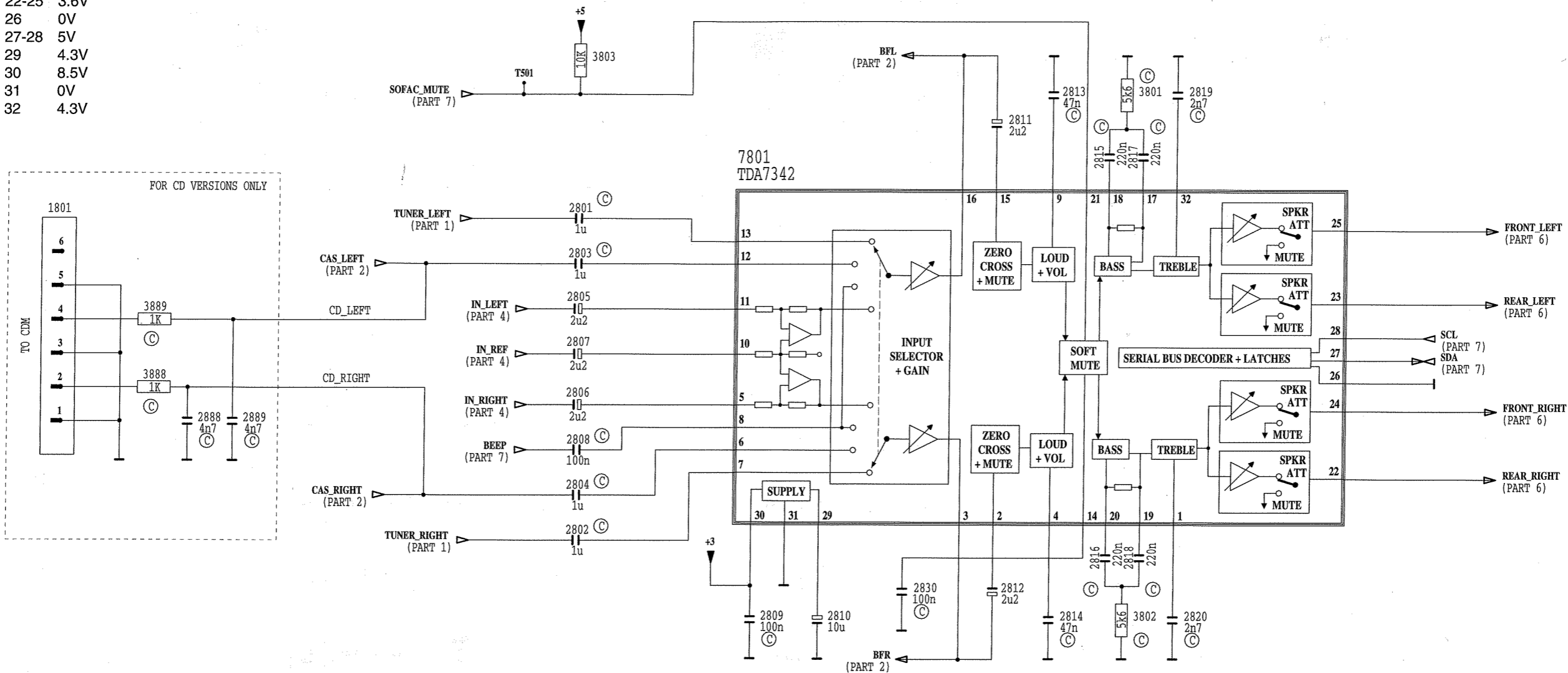
++ ITEM NOT USED - PROVISION IN PCB LAYOUT ONLY

PART 5 : SOFAC (MAIN PCB)

Voltage measured in FM mode
A4 = 14.4V
A7 = 14.4V
unless otherwise stated.

7801 TDA7342

1-8	4.3V
9-13	4.3V
14	7.5V
15-16	4.3V
17-20	4.3V
21	4.9V
22-25	3.6V
26	0V
27-28	5V
29	4.3V
30	8.5V
31	0V
32	4.3V



1801 E 1
 2801 E 1
 2802 E 1
 2803 E 1
 2804 E 1
 2805 E 1
 2806 E 1
 2807 E 1
 2808 E 1
 2809 E 1
 2810 H 8
 2811 D 10
 2812 D 10
 2813 D 10
 2814 H 10
 2815 D 10
 2816 D 10
 2817 D 11
 2818 H 11
 2819 H 11
 2820 H 11
 2888 F 9
 2889 F 9
 3801 D 11
 3802 H 11
 3803 C 6
 3808 E 7
 3809 F 7
 7801 D 7

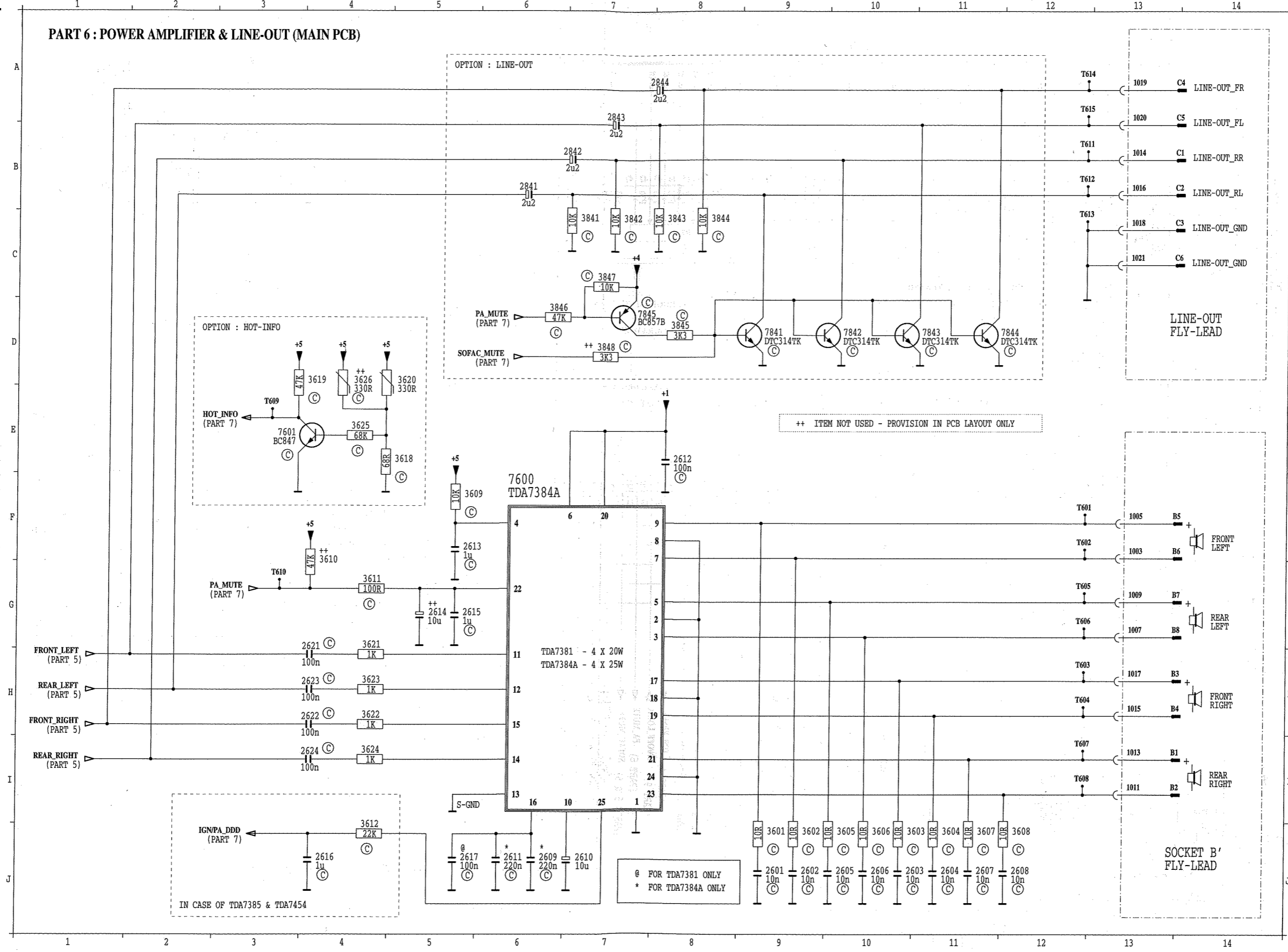
Voltage measured in FM mode

A4 = 14.4V
 A7 = 14.4V
 unless otherwise stated.

7600 TDA7384A

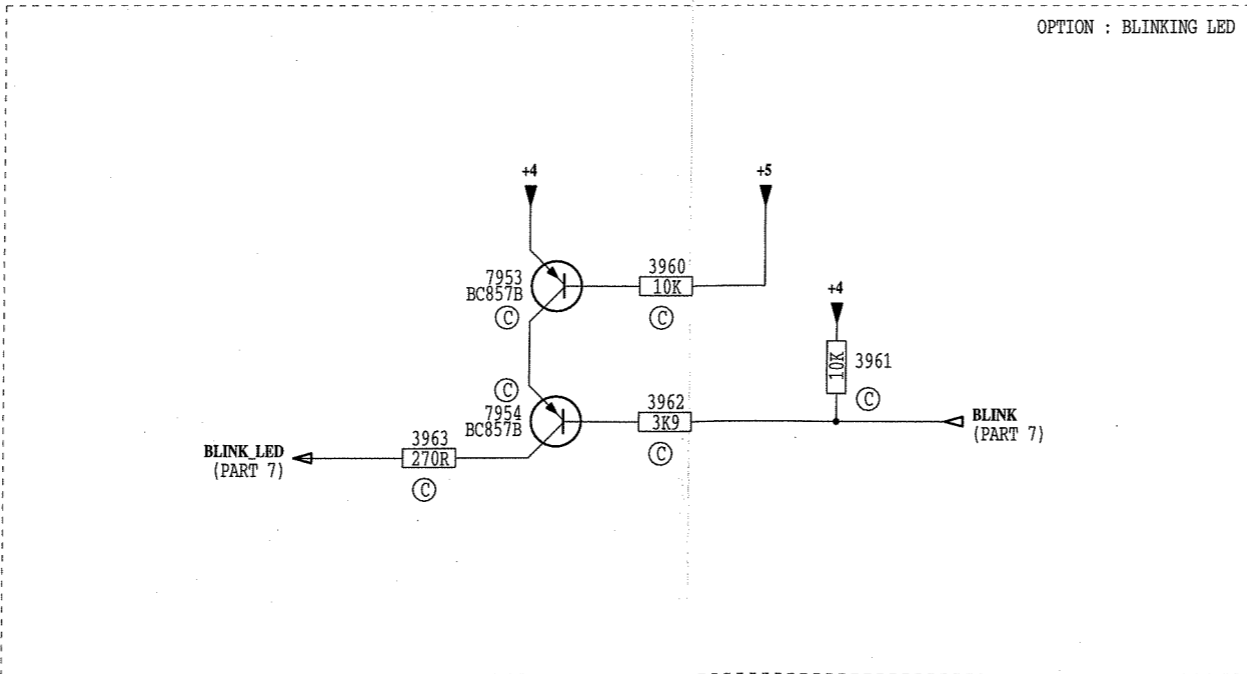
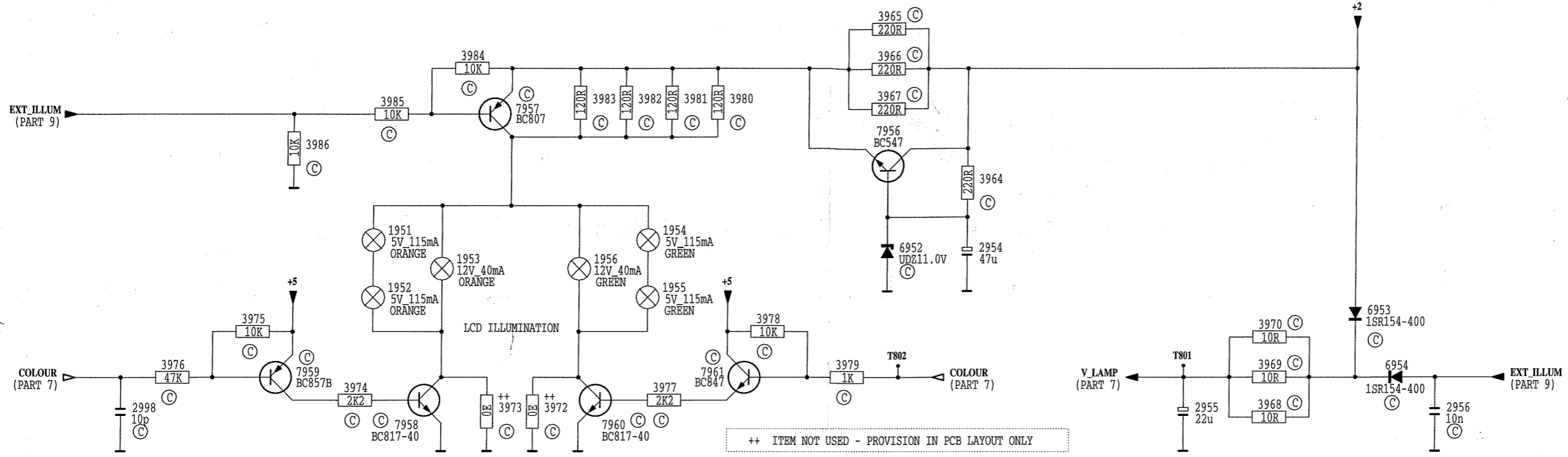
- 1 0V
- 2 0V
- 3 7.3V
- 4 5V
- 5 7.3V
- 6 14.4V
- 7 7.3V
- 8 0V
- 9 7.3V
- 10 7.2V
- 11 7.1V
- 12 7.1V
- 13 0V
- 14 7.1V
- 15 7.1V
- 16 7.2V
- 17 7.3V
- 18 0V
- 19 7.3V
- 20 14.4V
- 21 7.3V
- 22 5V
- 23 7.3V
- 24 0V
- 25 0V

PART 6 : POWER AMPLIFIER & LINE-OUT (MAIN PCB)



- 1003 F13
- 1005 F13
- 1007 G13
- 1009 G13
- 1011 H13
- 1013 H13
- 1014 B13
- 1015 H13
- 1016 B13
- 1017 H13
- 1018 C13
- 1019 A13
- 1020 A13
- 1021 C13
- 2601 C19
- 2602 J19
- 2603 J11
- 2604 J11
- 2605 J10
- 2606 J10
- 2607 J12
- 2608 J12
- 2609 J12
- 2610 J12
- 2611 J12
- 2612 F12
- 2613 F12
- 2614 G12
- 2615 G12
- 2616 G12
- 2617 G12
- 2621 H14
- 2622 H14
- 2623 H14
- 2624 H14
- 2841 B16
- 2842 B16
- 2843 A16
- 2844 A16
- 3601 J19
- 3602 J19
- 3603 J11
- 3604 J11
- 3605 J10
- 3606 J10
- 3607 J11
- 3608 J12
- 3609 F15
- 3610 G14
- 3611 G14
- 3612 J14
- 3613 E14
- 3614 E14
- 3615 E14
- 3616 E14
- 3617 E14
- 3618 D14
- 3619 D14
- 3620 D14
- 3621 D14
- 3622 H14
- 3623 H14
- 3624 I14
- 3625 E14
- 3626 D14
- 3627 C14
- 3628 C14
- 3629 C14
- 3630 C14
- 3631 C14
- 3632 C14
- 3633 C14
- 3634 C14
- 3635 C14
- 3636 C14
- 3637 C14
- 3638 C14
- 3639 C14
- 3640 C14
- 3641 C14
- 3642 C14
- 3643 C14
- 3644 C14
- 3645 C14
- 3646 C14
- 3647 C14
- 3648 C14
- 7600 F16
- 7601 E13
- 7602 D13
- 7603 D10
- 7604 D11
- 7605 D11
- 7606 D11
- 7607 D11
- 7608 D11

PART 8 : LCD ILLUMINATION & BLINKING LED (MAIN PCB)

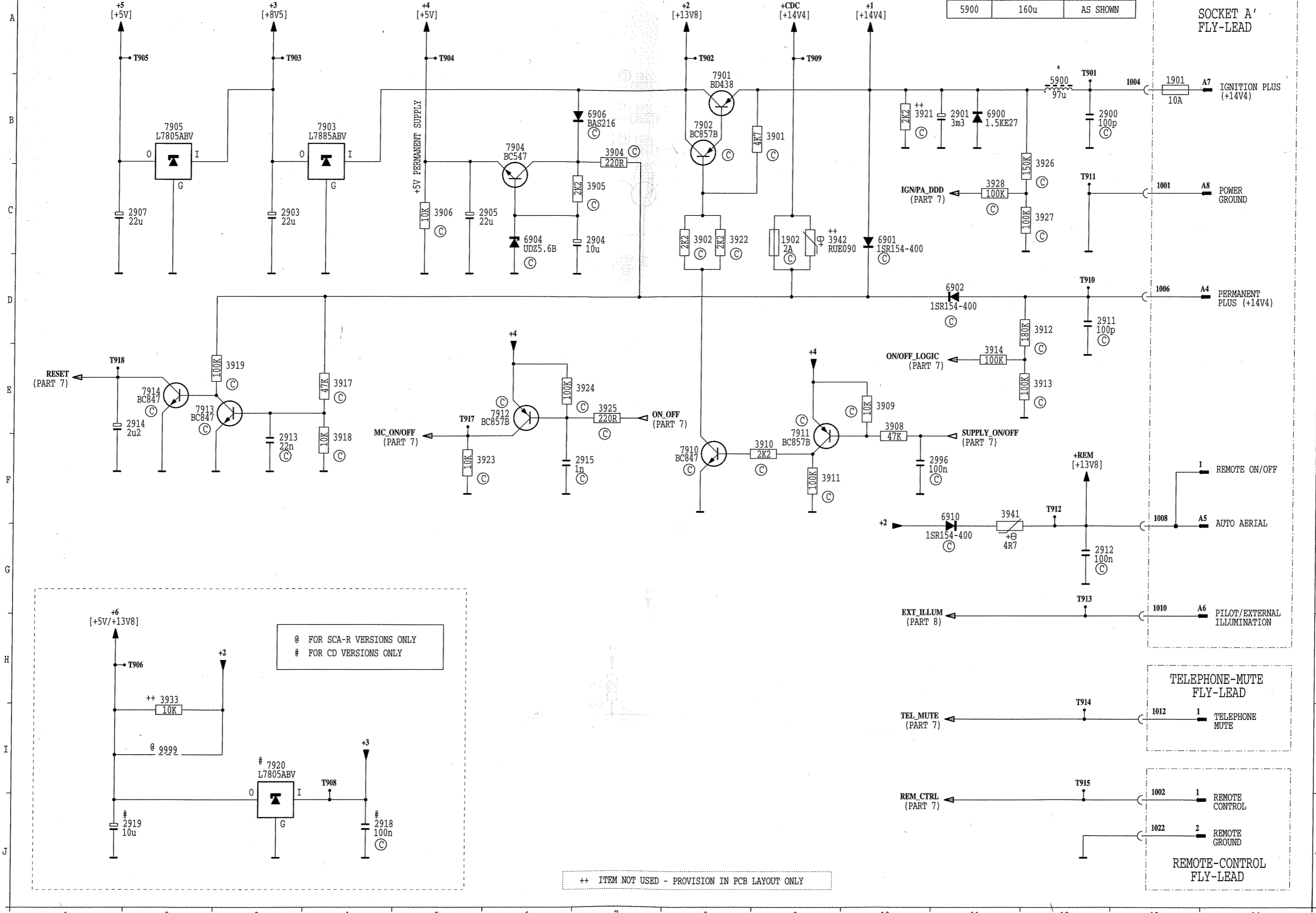


- 1951 C 4
- 1952 D 4
- 1953 D 5
- 1954 C 6
- 1955 D 6
- 1956 D 6
- 2954 D 9
- 2955 E 11
- 2956 E 13
- 2998 E 2
- 3960 H 8
- 3961 H 9
- 3962 I 8
- 3963 I 6
- 3964 C 9
- 3965 B 8
- 3966 B 8
- 3967 B 8
- 3968 E 12
- 3969 E 12
- 3970 D 12
- 3972 E 5
- 3973 E 5
- 3974 E 4
- 3975 D 3
- 3976 E 2
- 3977 E 6
- 3978 D 7
- 3979 E 8
- 3980 B 7
- 3981 B 7
- 3982 B 6
- 3983 B 6
- 3984 B 5
- 3985 B 4
- 3986 C 3
- 6952 D 9
- 6953 D 13
- 6954 E 13
- 7953 H 7
- 7954 I 7
- 7956 C 8
- 7957 B 5
- 7958 E 4
- 7959 E 3
- 7960 E 6
- 7961 E 7

PART 9 : SUPPLY & CONTROL (MAIN PCB)

*	4X7W / 2X20W	4X20W
	5900	AS SHOWN

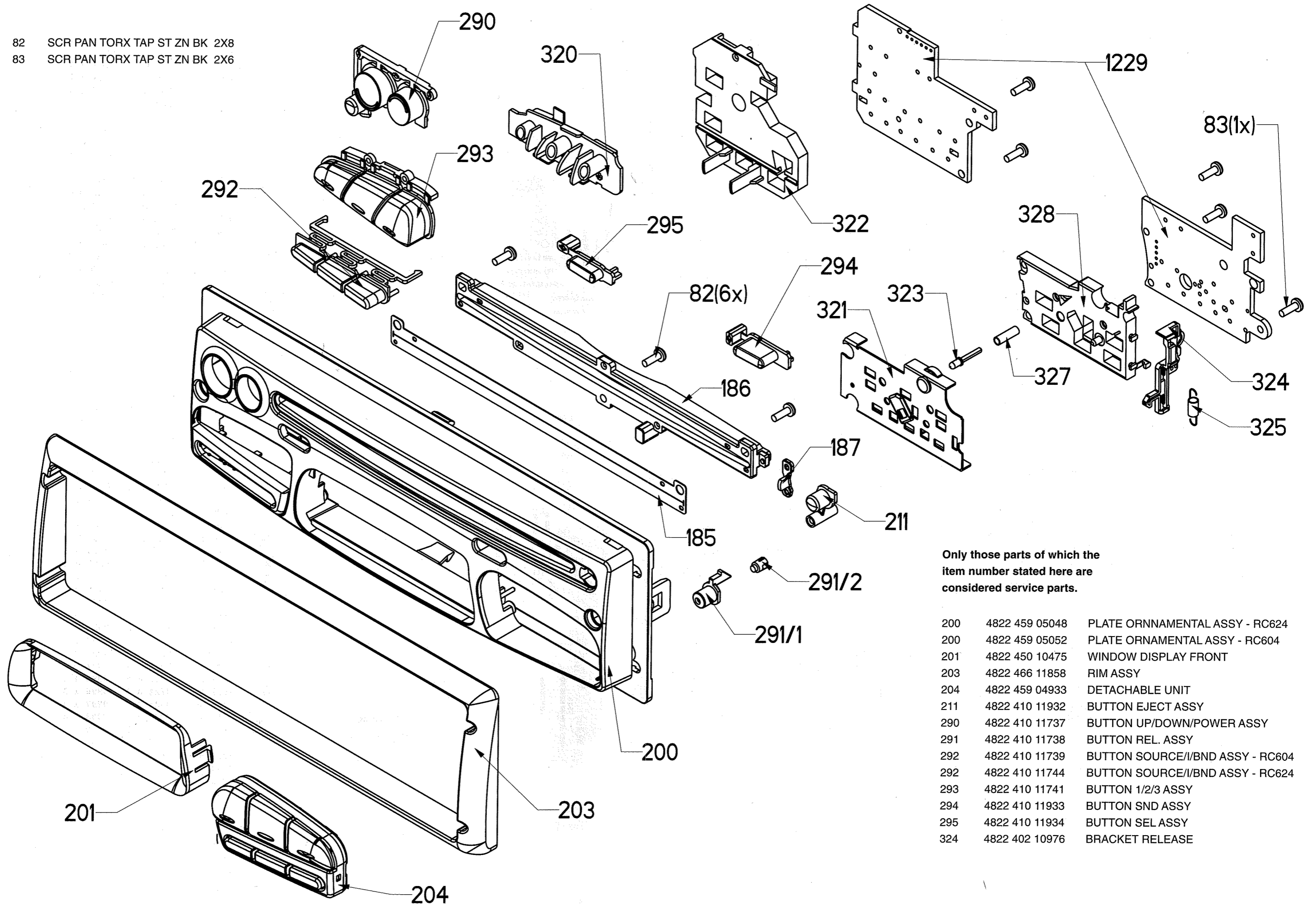
SOCKET A' FLY-LEAD



- 1001 C13
- 1002 J13
- 1004 B13
- 1006 D13
- 1008 F13
- 1010 G13
- 1012 I13
- 1022 J13
- 1902 C 9
- 2900 B12
- 2901 B11
- 2903 C 3
- 2904 C 7
- 2905 C 6
- 2907 C 2
- 2911 D12
- 2912 G12
- 2913 F 3
- 2914 E 2
- 2915 F 7
- 2918 J 4
- 2919 J 2
- 2996 F11
- 3901 B 9
- 3902 C 8
- 3904 B 7
- 3905 C 7
- 3906 C 5
- 3908 E10
- 3909 E10
- 3910 F 9
- 3911 F 9
- 3912 D12
- 3913 E12
- 3914 E11
- 3917 E 4
- 3918 F 4
- 3919 E 3
- 3921 B10
- 3922 C 8
- 3923 F 6
- 3924 E 7
- 3925 E 7
- 3926 C12
- 3927 C12
- 3928 C11
- 3933 H 2
- 3941 F11
- 3942 C 9
- 5900 B12
- 6900 B11
- 6901 C10
- 6902 D11
- 6904 C 6
- 6906 B 7
- 6910 F11
- 7901 B 8
- 7902 B 8
- 7903 B 4
- 7904 B 6
- 7905 E 2
- 7910 F 8
- 7911 F 9
- 7912 E 6
- 7913 E 2
- 7914 E 2
- 7920 I 3
- 9999 I 2

RC624/604 FRONT EXPLODED VIEW

- 82 SCR PAN TORX TAP ST ZN BK 2X8
- 83 SCR PAN TORX TAP ST ZN BK 2X6

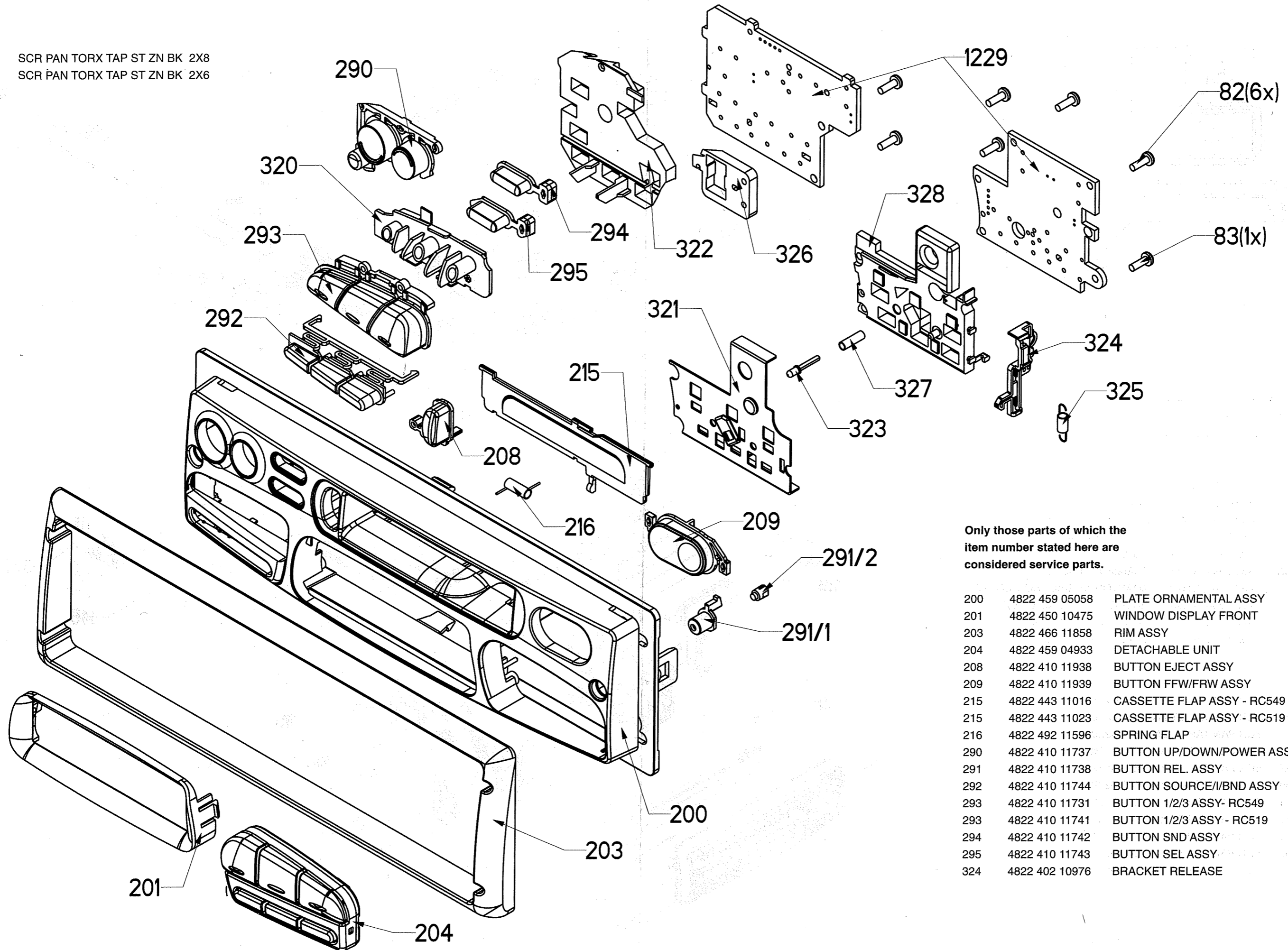


Only those parts of which the item number stated here are considered service parts.

200	4822 459 05048	PLATE ORNNAMENTAL ASSY - RC624
200	4822 459 05052	PLATE ORNNAMENTAL ASSY - RC604
201	4822 450 10475	WINDOW DISPLAY FRONT
203	4822 466 11858	RIM ASSY
204	4822 459 04933	DETACHABLE UNIT
211	4822 410 11932	BUTTON EJECT ASSY
290	4822 410 11737	BUTTON UP/DOWN/POWER ASSY
291	4822 410 11738	BUTTON REL. ASSY
292	4822 410 11739	BUTTON SOURCE//BND ASSY - RC604
292	4822 410 11744	BUTTON SOURCE//BND ASSY - RC624
293	4822 410 11741	BUTTON 1/2/3 ASSY
294	4822 410 11933	BUTTON SND ASSY
295	4822 410 11934	BUTTON SEL ASSY
324	4822 402 10976	BRACKET RELEASE

RC549/519 FRONT EXPLODED VIEW

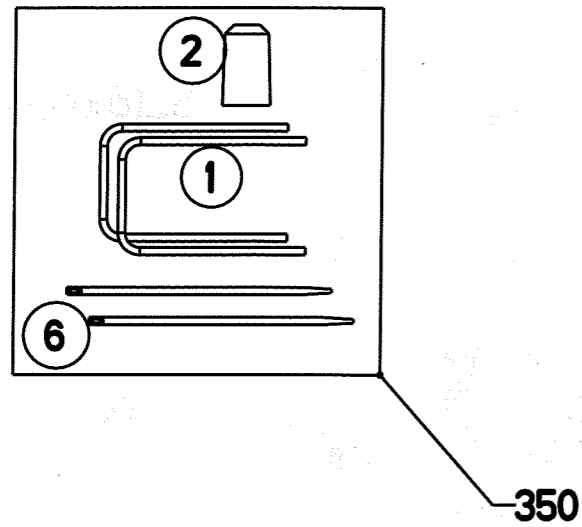
- 82 SCR PAN TORX TAP ST ZN BK 2X8
- 83 SCR PAN TORX TAP ST ZN BK 2X6



Only those parts of which the item number stated here are considered service parts.

200	4822 459 05058	PLATE ORNAMENTAL ASSY
201	4822 450 10475	WINDOW DISPLAY FRONT
203	4822 466 11858	RIM ASSY
204	4822 459 04933	DETACHABLE UNIT
208	4822 410 11938	BUTTON EJECT ASSY
209	4822 410 11939	BUTTON FFW/FRW ASSY
215	4822 443 11016	CASSETTE FLAP ASSY - RC549
215	4822 443 11023	CASSETTE FLAP ASSY - RC519
216	4822 492 11596	SPRING FLAP
290	4822 410 11737	BUTTON UP/DOWN/POWER ASSY
291	4822 410 11738	BUTTON REL. ASSY
292	4822 410 11744	BUTTON SOURCE/IBND ASSY
293	4822 410 11731	BUTTON 1/2/3 ASSY- RC549
293	4822 410 11741	BUTTON 1/2/3 ASSY - RC519
294	4822 410 11742	BUTTON SND ASSY
295	4822 410 11743	BUTTON SEL ASSY
324	4822 402 10976	BRACKET RELEASE

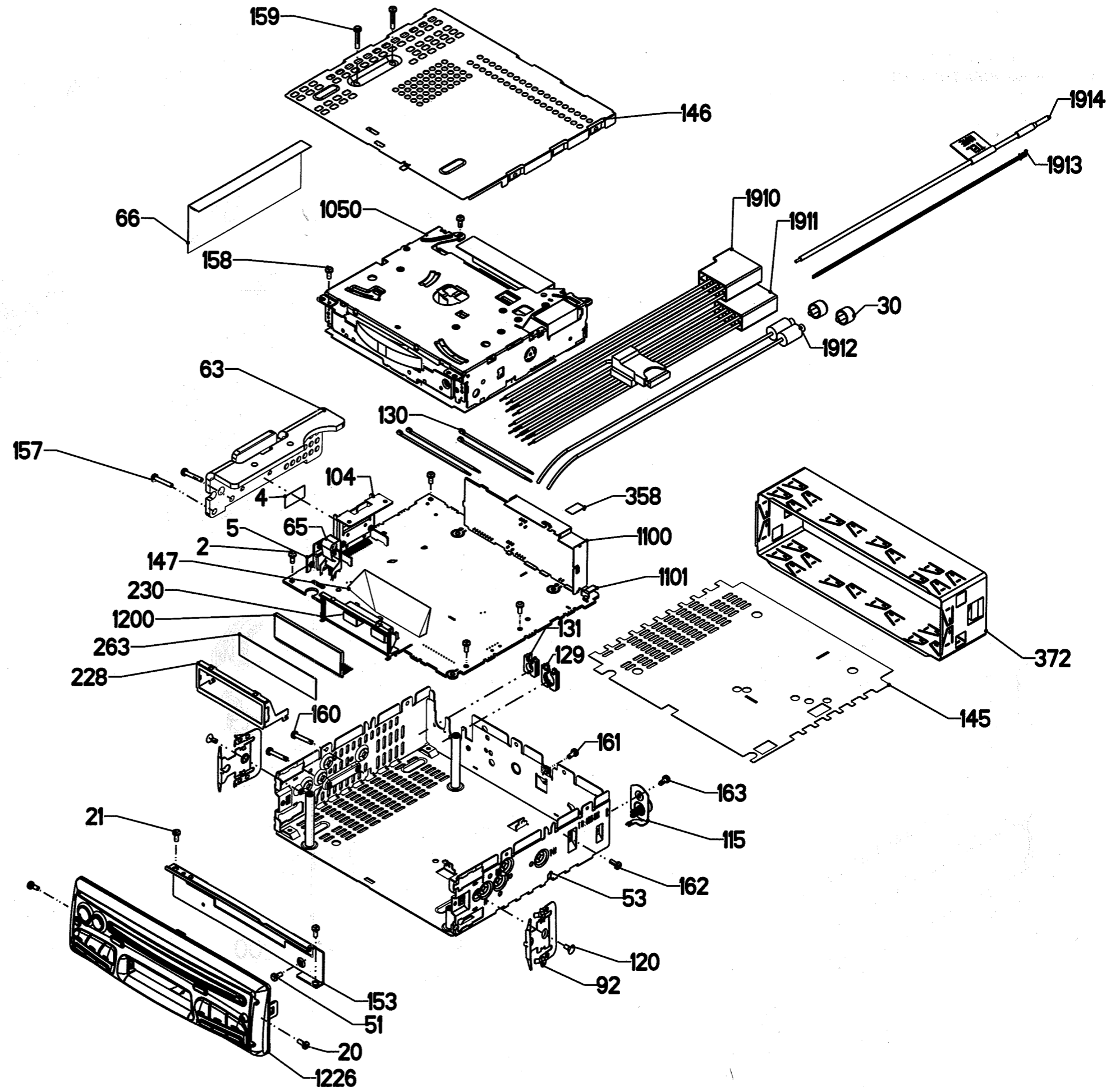
RC624/604 FRONT EXPLODED VIEW



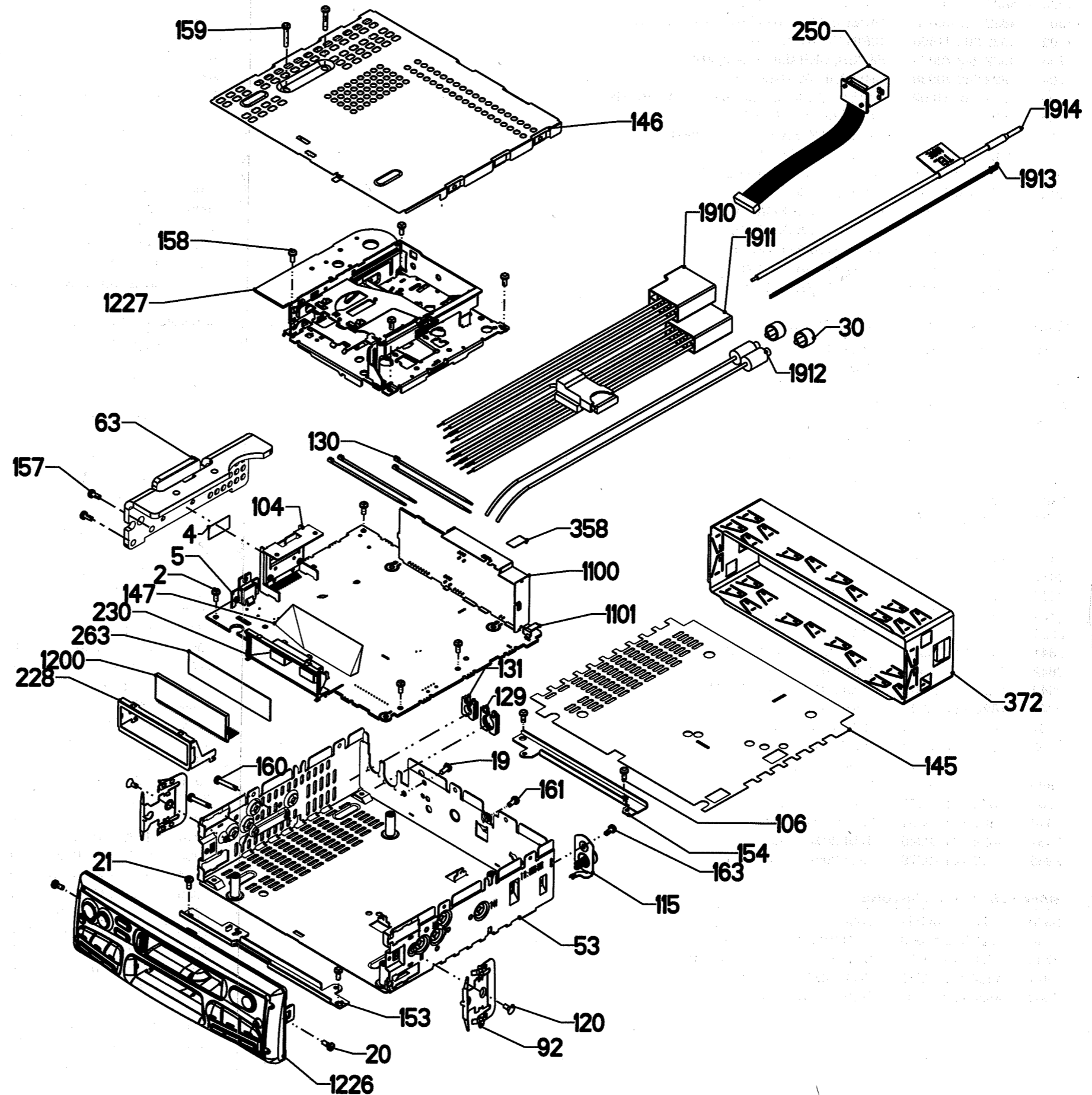
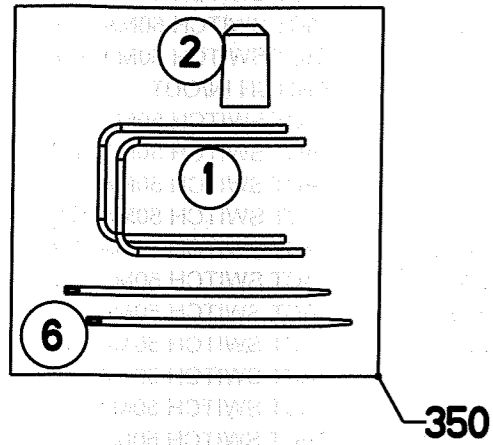
Only those parts of which the item number stated here are considered service parts.

92	4822 492 71046	SPRING MOUNTING
115	4822 265 10717	CONNECTOR AERIAL ASSY
350/1	4822 404 20437	BRACKET MOUNTING
350/2	4822 532 11092	BUFFER MOUNTING
372	4822 423 90186	SLEEVE
1227	4822 691 10723	CDMM2 1.1/1 ASSY
	4822 263 21164	ADAPTOR AERIAL (ISO-DIN)-/17
	4822 256 10293	HOLDER AERIAL ADAPTOR-/17
	4822 418 10337	BOX DETACHABLE UNIT
	4822 736 16272	DIRECTION FOR USE

2	SCR PAN TAP ST ZN GN	M2.5X6
20	SCR PAN TAP ST ZN YE	M2.5X6
21	SCR PAN TAP ST ZN YE	M2.5X6
120	SCR CSK TORX TAP ST ZN	M3X6
157	SCR PAN TAP ST ZN YE	M2.5X12
158	SCR PAN TAP ST ZN YE	M2.5X6
159	SCR PAN TAP ST ZN YE	M2.5X12
160	SCR PAN TAP ST ZN YE	M2.5X16
161	SCR PAN TAP ST ZN BK	M2.5*3
162	SCR PAN TAP ST ZN YE	M2.5X6
163	SCR PAN TAP ST ZN YE	M2.5X6



RC549/519 FRONT EXPLODED VIEW



Only those parts of which the item number stated here are considered service parts.

92	4822 492 71046	SPRING MOUNTING
115	4822 265 10717	CONNECTOR AERIAL ASSY
250	4822 265 11228	CONNECTOR ASSY CDCC - RC549
350/1	4822 404 20437	BRACKET MOUNTING
350/2	4822 532 11092	BUFFER MOUNTING
372	4822 423 90186	SLEEVE
1227	4822 691 10726	TAPDECK SCA-R3.3
	4822 418 10337	BOX DETACHABLE UNIT
	4822 736 16283	DIRECTION FOR USE

2	SCR PAN TAP ST ZN GN	M2.5X6
19	SCR PAN TAP ST ZN YE	M2.5X6
20	SCR PAN TAP ST ZN YE	M2.5X6
21	SCR PAN TAP ST ZN YE	M2.5X6
106	SCR PAN TAP ST ZN YE	M2.5X6
120	SCR CSK TORX TAP ST ZN	M3X6
157	SCR PAN TAP ST ZN YE	M2.5X12
158	SCR PAN TAP ST ZN YE	M2.5X6
159	SCR PAN TAP ST ZN YE	M2.5X12
160	SCR PAN TAP ST ZN YE	M2.5X16
161	SCR PAN TAP ST ZN BK	M2.5*3
163	SCR PAN TAP ST ZN YE	M2.5X6